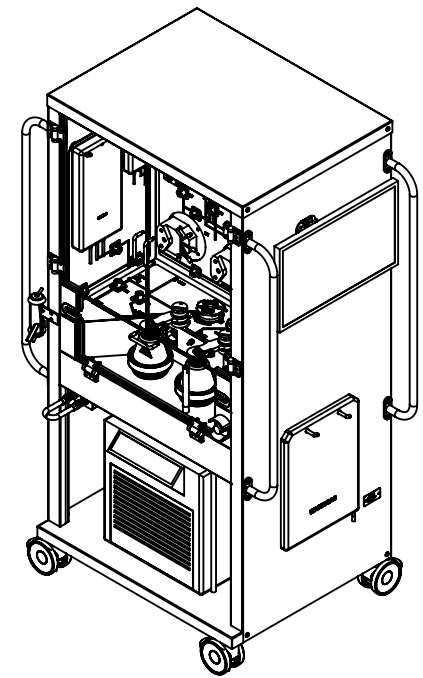
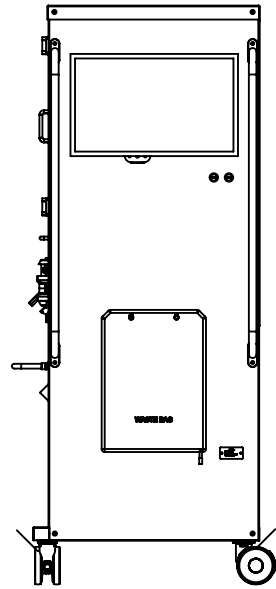
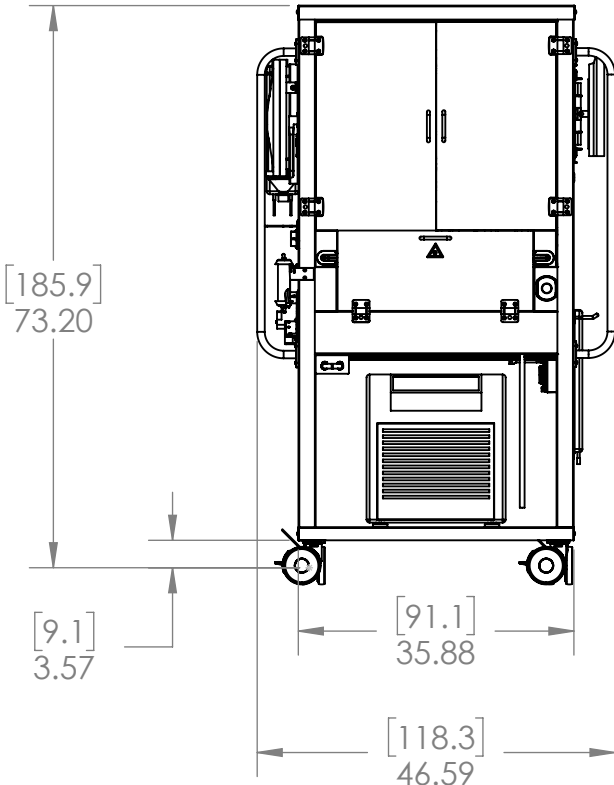
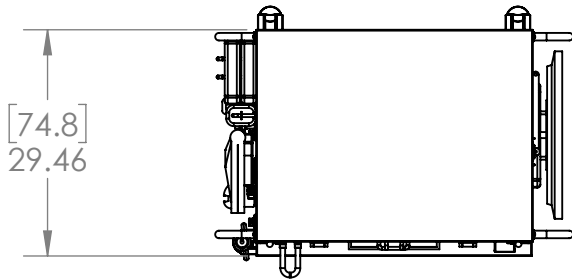




8 7 6 5 4 3 2 1

F
E
D
C
B
A

F
E
D
C
B
A



NOTES:
- MACHINE WEIGHT: 275 kg (606 LBS)

UNLESS OTHERWISE SPECIFIED:		BY	DATE	 BIOREP[®] TECHNOLOGIES 15804 NW 57th Ave, Miami Lakes, FL 33014
DIMENSIONS ARE IN inches [cm]		DRAWN	AG 07/20/2023	
TOLERANCES: .XX ± .02 [0.51] .XXX ± .005 [0.13] .XXXX ± .0010 [0.0250] ANGLES ± 2 INT CORNER R .01 [0.25] MAX EXT CORNER R .01 [0.25] MAX		DESIGNED	MB 07/20/2023	TITLE PRISM MACHINE
MATERIAL: NONE FINISH: NONE DO NOT SCALE DRAWING		REFERENCE QMS FOR EFFECTIVE DATE PROPRIETARY ITEM THE INFORMATION CONTAINED IN THIS DRAWING IS THE SOLE PROPERTY OF BIOREP TECHNOLOGIES, INC. ANY REPRODUCTION IN PART OR AS A WHOLE WITHOUT THE WRITTEN PERMISSION OF BIOREP TECHNOLOGIES, INC. IS PROHIBITED.		
		THIRD ANGLE PROJECTION 		SIZE DWG. NO. A PRISM-001
				REV 1.0
				SCALE: 1:32 SHEET 1 OF 2

8 7 6 5 4 3 2 1